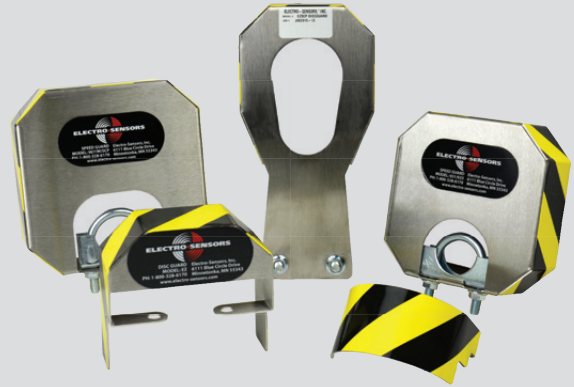


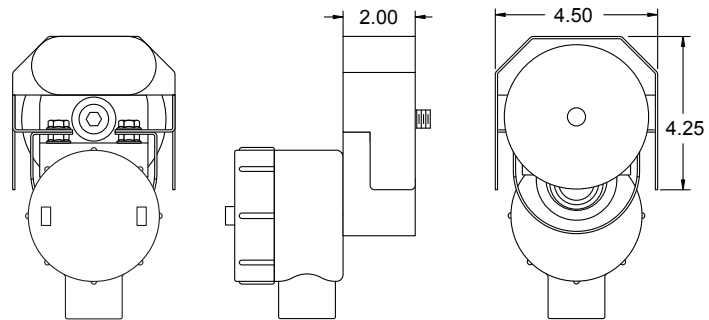
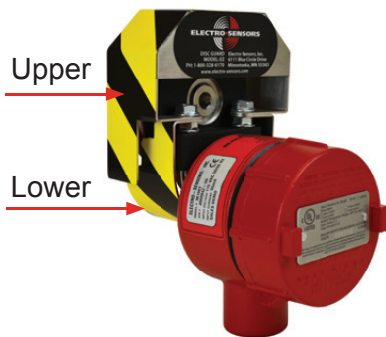
## Key Features

- Protects pulser disc and sensing head
- EZ-100 (upper and lower), Standard, EZ-SCP, and 931 XP/933 XP disc guards
- Protects against excessive dirt, grease, dust, or grime



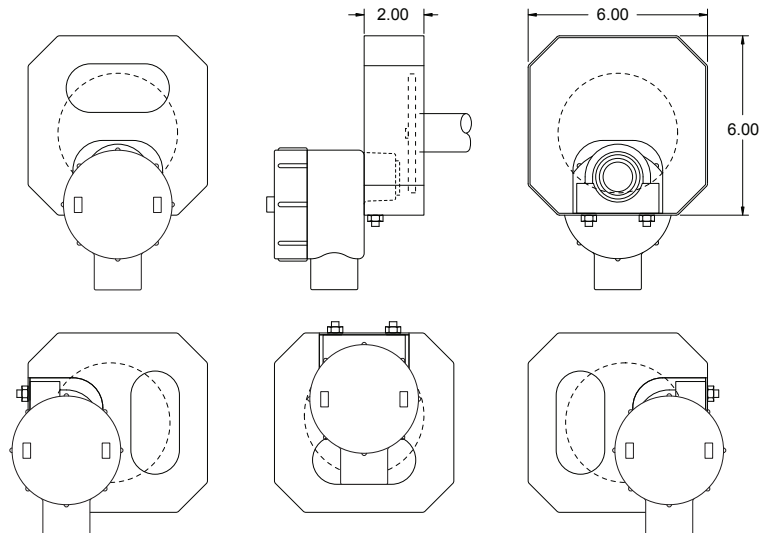
**EZ-100 Disc Guard models (upper and lower):** Line up the holes in the disc guard on top of the already existing hex nuts. Install the two supplied hex nuts to secure the guard in place.

**Compatible with M100T, M100, FB420, 907 XP, 917 XP, SpeedTalker-DN(XP)**



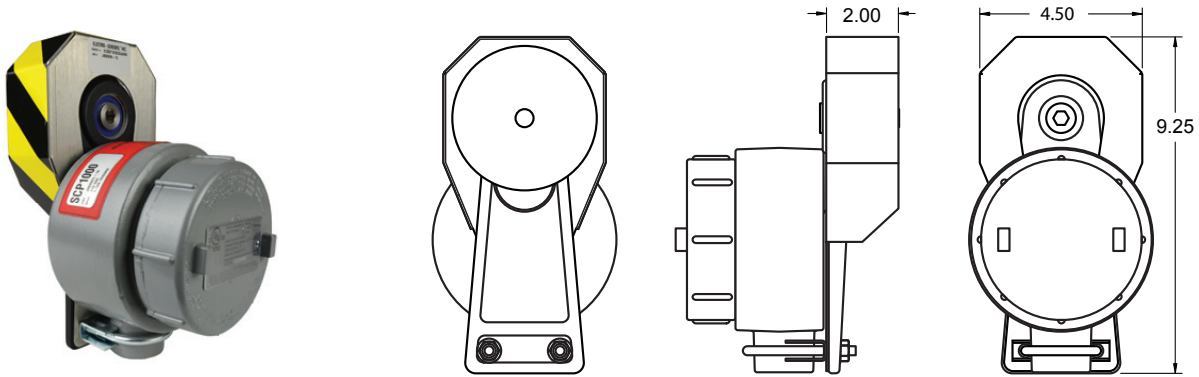
**Standard Disc Guard model:** Loosen the U-bolt clamp and place around the sensing head. The disc guard may be rotated around the sensing head if the pulser disc is in a different location. Once the disc guard is in the desired position, tighten the hex nuts on the U-bolt clamp.

**Compatible with M100T, M100, FB420, 907 XP, 917 XP, SpeedTalker-DN(XP), SCP1000, SCP2000**



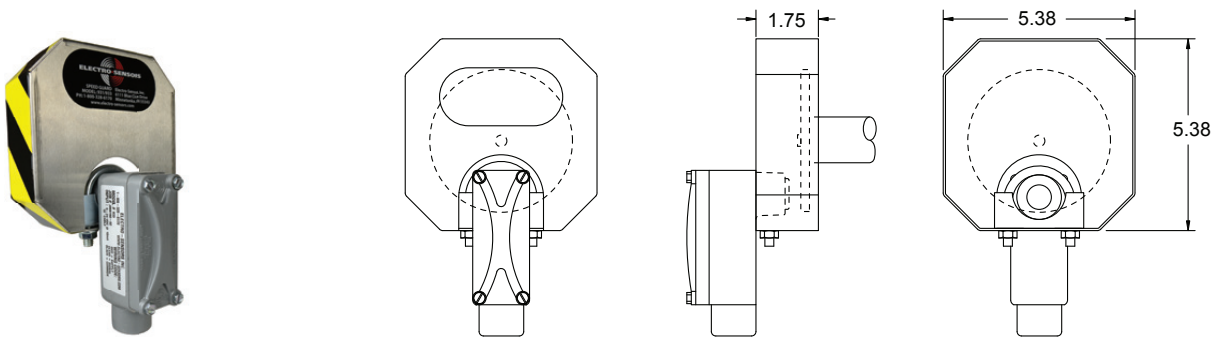
**EZ-SCP Disc Guard model:** Line up the holes in the disc guard with the U-bolt ends. Install disc guard between the SCP and the EZ-SCP bracket. Install and tighten the two supplied hex nuts over the EZ-SCP bracket.

**Compatible with SCP1000, SCP2000**



**931 XP/933 XP Disc Guard model:** Loosen the U-bolt clamp and place around the sensing head. The disc guard may be rotated around the sensing head if the pulser disc is in a different location. Once the disc guard is in the desired position, tighten the hex nuts on the U-bolt clamp.

**Compatible with 931 XP and 933 XP**



## Ordering

Model Description	Part Number
EZ-100 Mount Disc Guard Upper	725-005200
EZ-100 Mount Disc Guard Lower	725-005201
Standard Disc Guard	725-005300
EZ-SCP Mount Disc Guard	725-005600
931 XP/933 XP Disc Guard	725-005400

## Customization

If one of our standard products does not meet your specifications, please call one of our applications specialists. Many of our products can be customized to fit specific needs.

## Additional Information

Please call Electro-Sensors for more information.