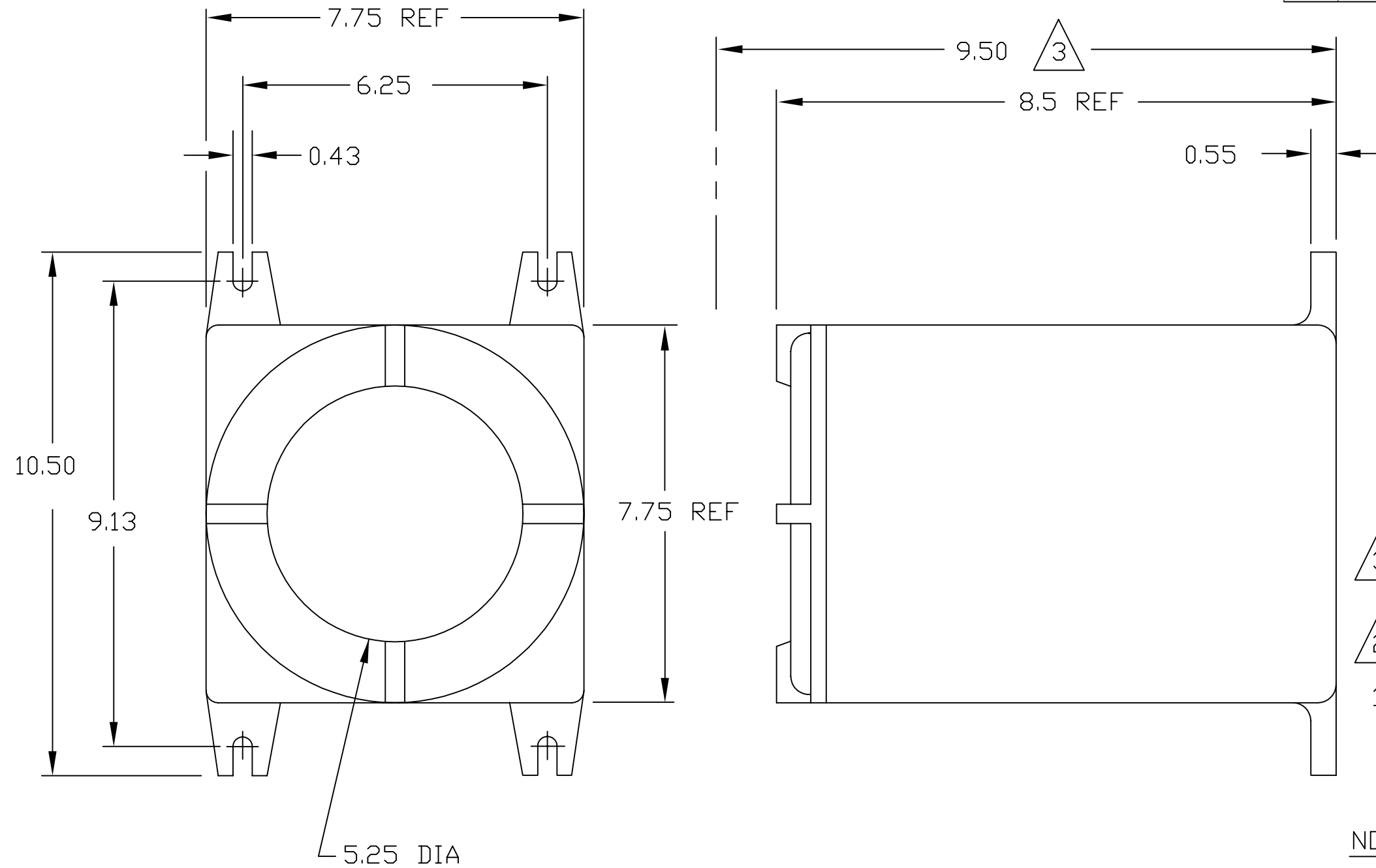


REVISIONS				
REV	ECD	DESCRIPTION	DATE	APPROVED
B	580	REVISED CLASS NOTE LISTING	12-20-00	




3 MINIMUM DISTANCE REQUIRED TO REMOVE COVER FROM ENCLOSURE.

2 MATERIAL: CAST ALUMINUM.

- ENCLOSURE IS EXP. PROOF, AND DUST TIGHT. CL. I. GROUP C. D; CL. II GROUPS E. F. & G; CL. III. NEMA 7 AND 9. MAX CONDUIT SIZE IS 2".

NOTES:

UNLESS OTHERWISE SPECIFIED REMOVE ALL BURRS & SHARP EDGES. DIMENSIONS ARE IN INCHES TOLERANCE ON	DRAWN BY D.S.	DATE 8/7/79	 MTKA, MINN. THIS DOCUMENT IS THE PROPERTY OF ELECTRO-SENSORS, INC. AND CAN NOT BE DUPLICATED OR DISTRIBUTED WITHOUT THE WRITTEN CONSENT OF ELECTRO-SENSORS, INC.	TITLE HOUSING - X-P 8.50 DEEP			
	CHECKED BY T.E.B.	DATE 8/7/79					
FRACTIONS DECIMALS ANGLES ± .X±1 ±2' .XX±.05 ±2' .XXX±.005	RELEASED BY			SCALE NONE	SIZE B	DWG. NO. 305-001600	REV. B
MATERIAL	FINISH			DO NOT SCALE DWG.		SHT. 1 OF 1	