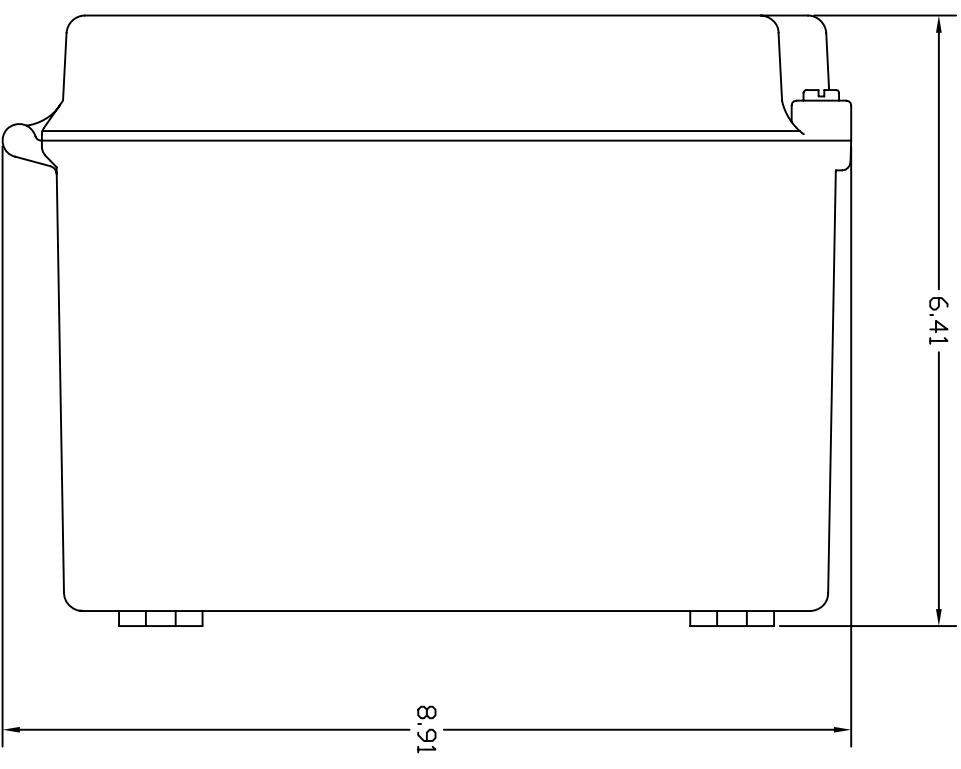
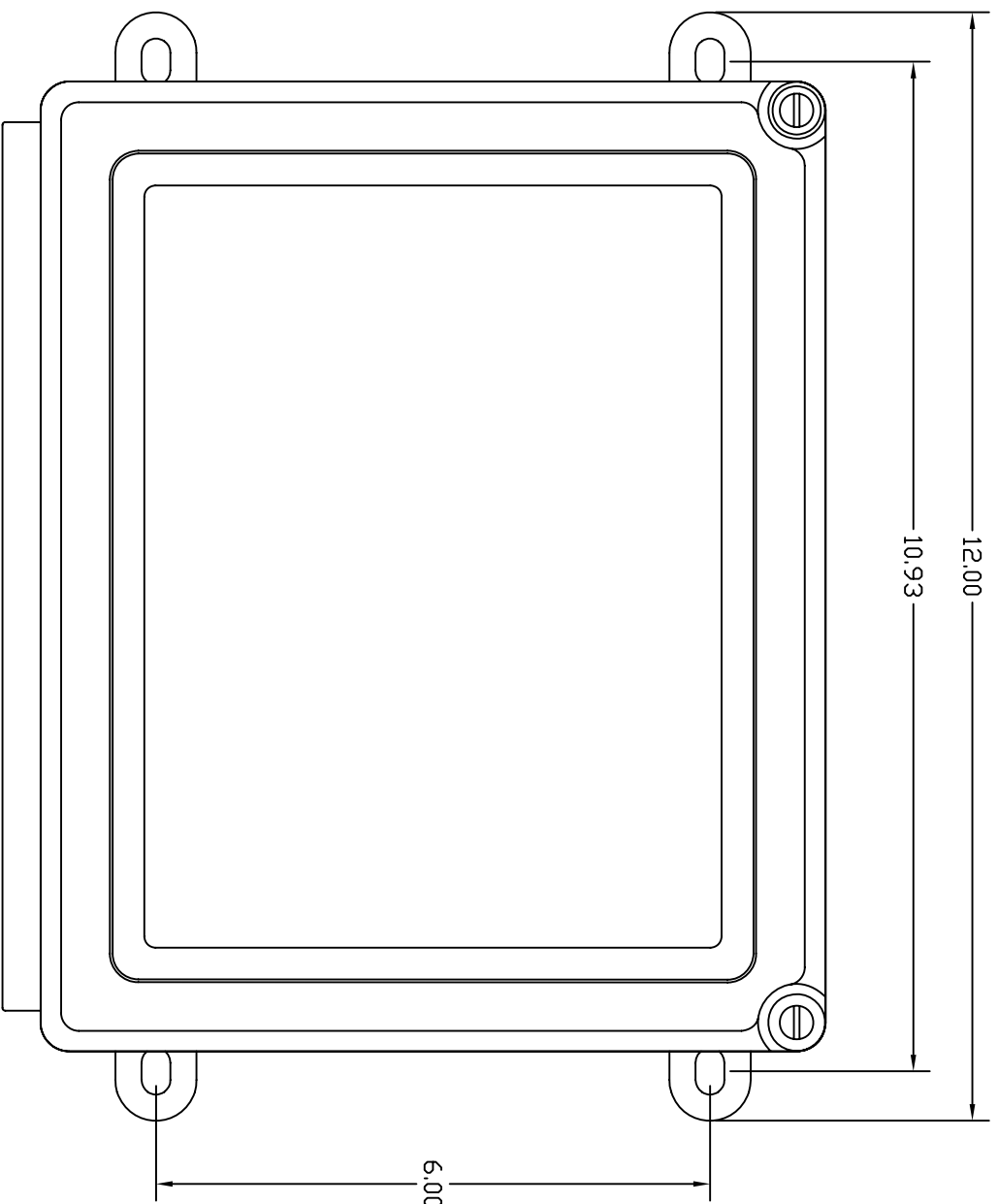
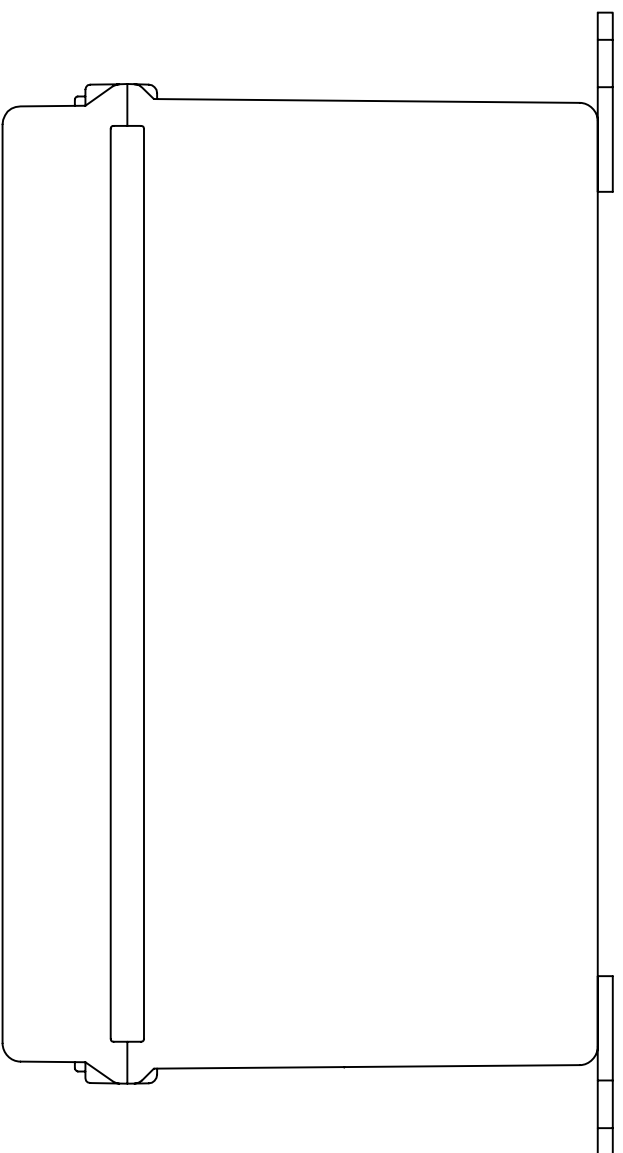



REVISIONS				
REV	ECO	DESCRIPTION	DATE	APPROVED
A	---	DRAWING CREATED	7/21/05	MJS



UNLESS OTHERWISE SPECIFIED		DRAWN	DATE	 <small>THIS DOCUMENT IS THE PROPERTY OF ELECTRO-SENSORS, INC. AND CAN BE DISTRIBUTED WITHOUT THE WRITTEN CONSENT OF ELECTRO-SENSORS, INC.</small>	
REMOVE ALL BURS & SHARP EDGES. DIMENSIONS ARE IN INCHES. TOLERANCE ON FRACTIONS DECIMAL ANGLES		BY MJS	7/21/05	CHECKED BY	TITLE
4 X 32X40 42°		RELEASED BY			ENCLOSURE NEMA4X 10X8X6 FIBERGLASS
MATERIAL		FINISH			SCALE
					D 725-003700
					DD NOT SCALE DWG. SHEET 1 OF 1
					REV. A