

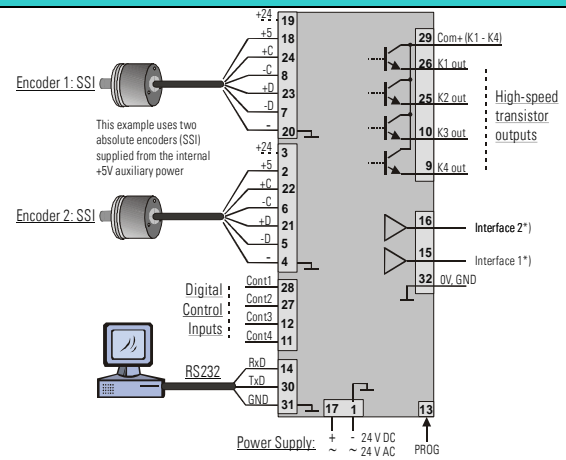
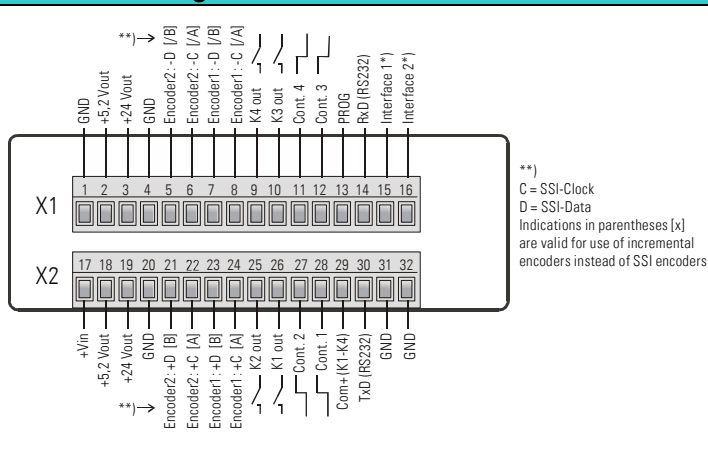
SSI-Indicator ID340

SSI Indicator with 2 SSI Inputs



- Electronic position indicators for high-end applications
- 2 independent encoder inputs (each either SSI-Master or SSI-Slave or incremental)
- Indication of encoder1, encoder2, [encoder1 - encoder2] or [encoder1 + encoder2]
- 4 presets with very fast responding power transistor outputs
- Models with 6 decades or with 8 decades available

Terminal Assignments:



Technical Specifications:

Power supply	:	24 VDC (17 – 30 V) or 24VAC +/-10%
Auxiliary voltage for encoder supply	:	24 V DC 120 mA and 5,2VDC 150mA
Encoder Inputs	:	2 universal Encoder inputs (SSI / incremental, TTL-differential)
Input frequency	:	1 MHz (SSI) Clock and Data and incremental Encoder frequency
Control inputs	:	4 Control inputs (free configurable)
LED display	:	6 decades high-efficiency red, 14.22 mm (0.56") or 8 decades high-efficiency red, 9.15 mm (0.36")
Switching outputs	:	4 high-speed transistors 5-30 V, 350 mA
Serial interface	:	RS 232 or RS 485 2400 - 38400 Baud
Ambient temperature	:	Operation: 0 - 45°C (32 – 113°F) Storage: -25 - +70°C (-13 – 158°F)
Protection class	:	front IP65, rear IP20

Dimensions:

