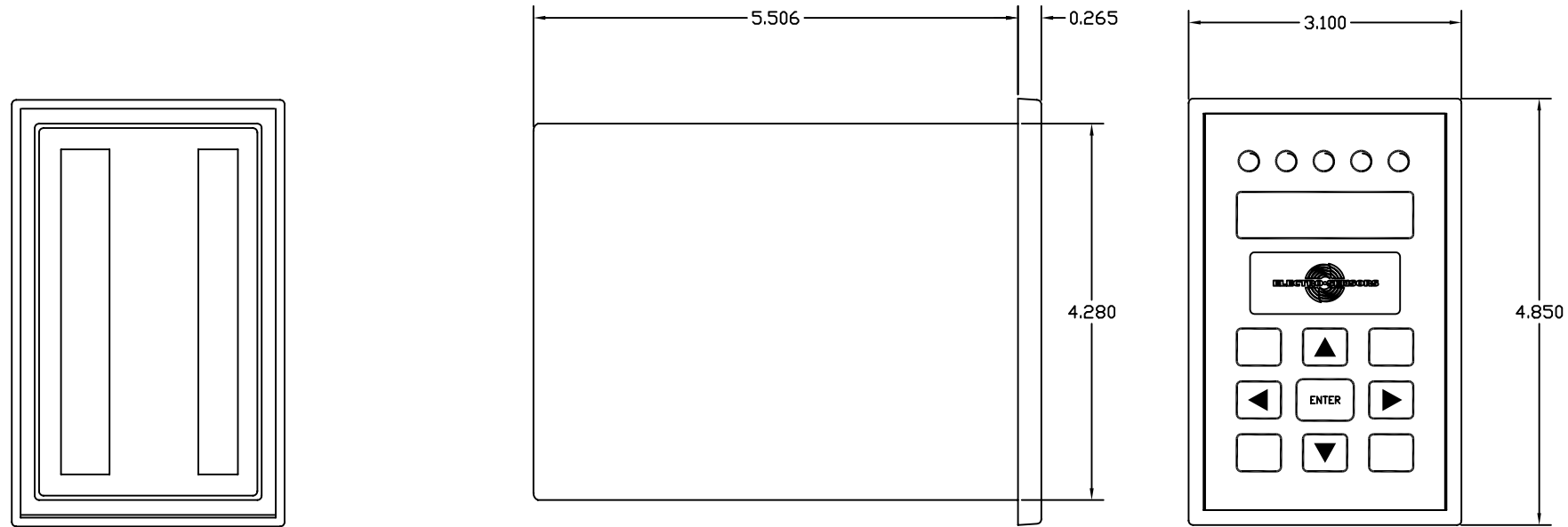
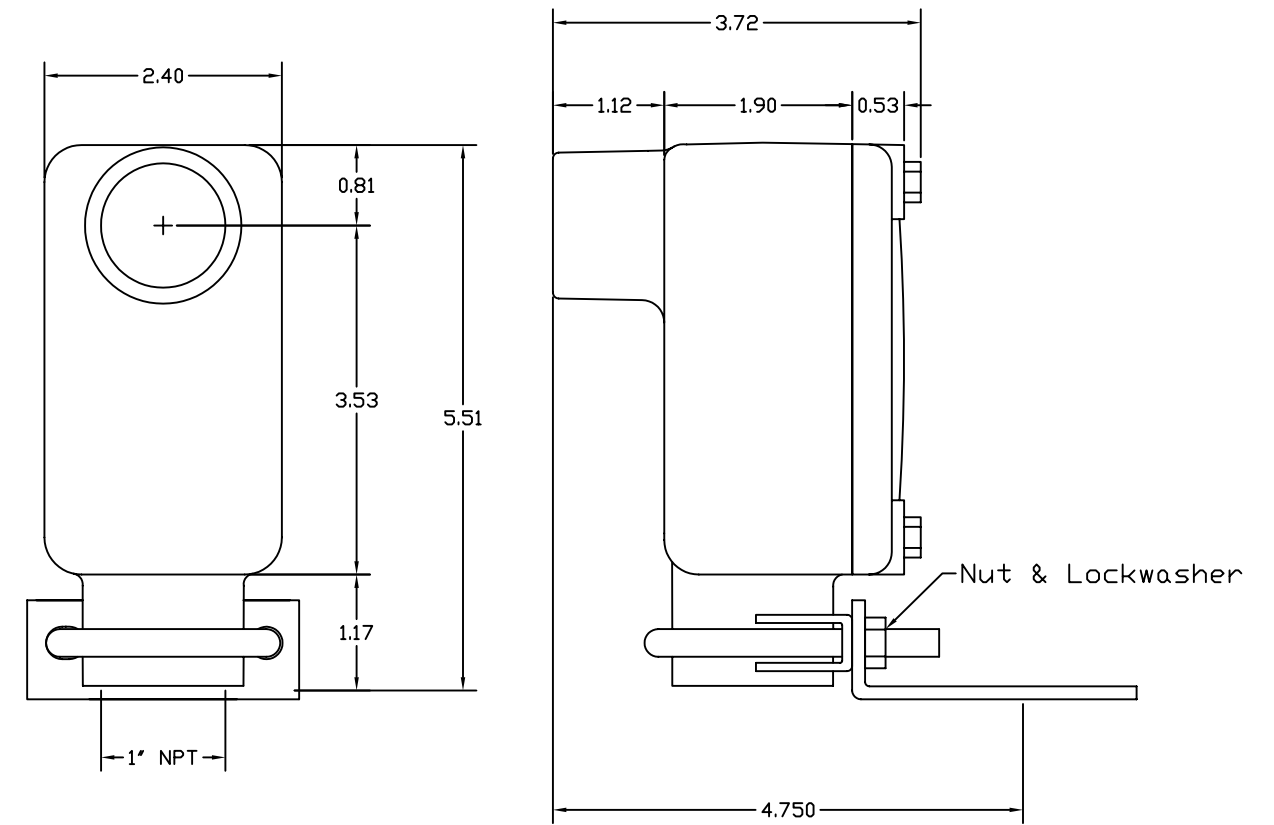


REVISIONS				
REV	ECO	DESCRIPTION	DATE	APPROVED

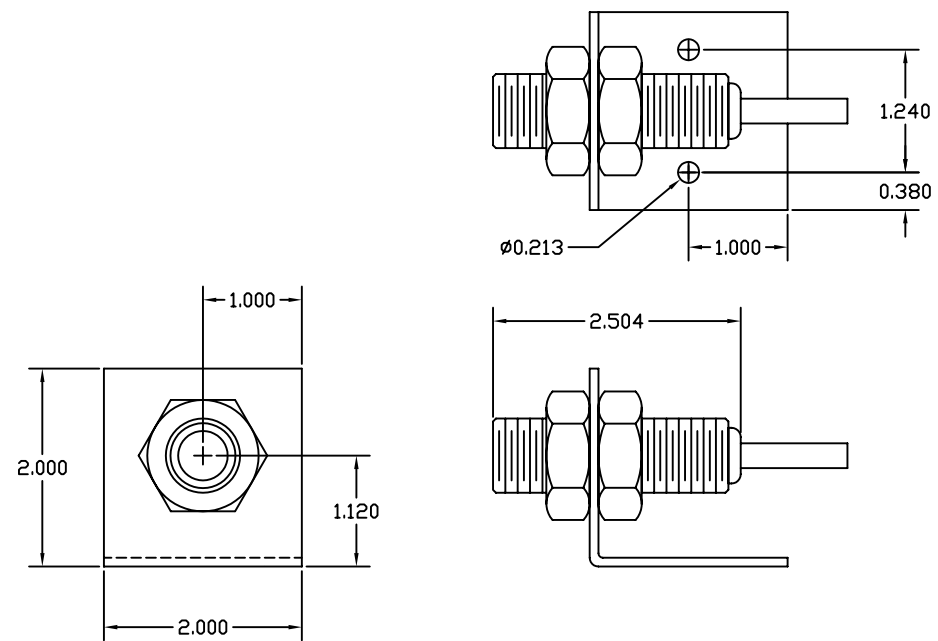
MS320, MS332, TR400, TR5000, CT6000 ENCLOSURE



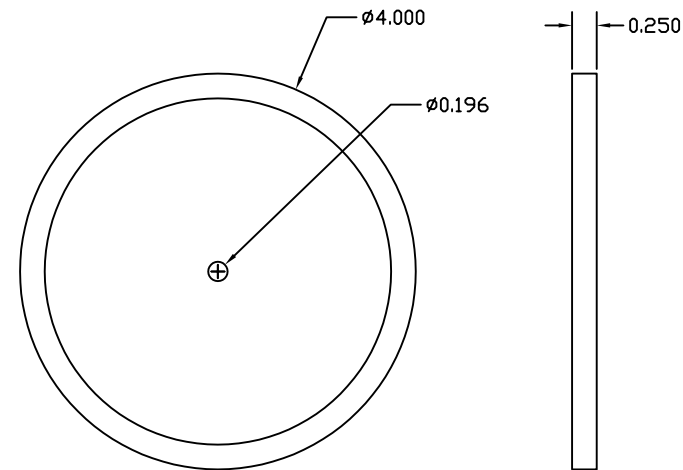
OPTIONAL XP SENSOR



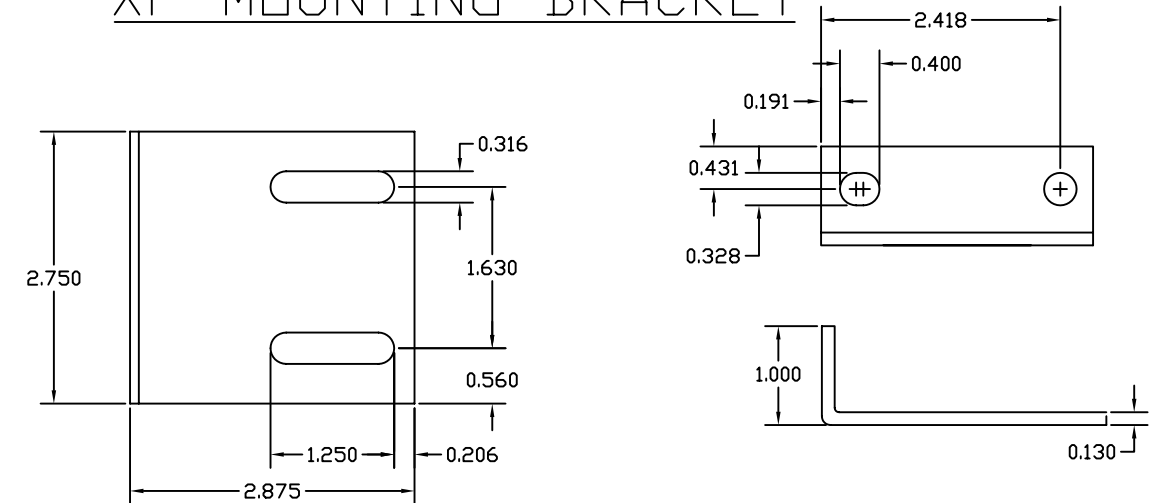
STANDARD DIGITAL SENSING HEAD



255 PULSER DISC



XP MOUNTING BRACKET



 MTKA, MINN. THIS DOCUMENT IS THE PROPERTY OF ELECTRO- SENSORS, INC. AND CAN NOT BE DUPLICATED OR DISTRIBUTED WITHOUT THE WRITTEN CONSENT OF ELECTRO-SENSORS, INC.	TITLE		
	MS, TR, CT TYPICAL SYSTEM COMPONENTS		
	SCALE	SIZE	DWG. NO.
	DO NOT SCALE DWG.	D	----
	REV.	SHEET 1 OF 1	
	-		