

# Rub Block Door / Plate

## Installation

Using the templates on the back pages of this manual, you can properly mark the mounting location of the rub block plate, or hinged door.

## Belt Alignment

Align the travel of the belt off to either side of the sensor mounting location. Aligning the rub block in this way can extend the life of the rub block by allowing you to flip it over when one side wears out.

**Caution:** If the belt rubs directly on the sensor, the sensor may be permanently damaged.

One way to mount the rub block door is using bolts through the side of the leg casing. The bolts on the hinge side of the door will be fixed in place, once installed. The bolts on the opening side of the door could possibly fall into the elevator during inspection unless retained by the use of a nut between the door and the casing. See figure 2 below. This nut can also act as a spacer preventing the door from being over-tightened. Use of a 3/8-16 bolt is recommended.

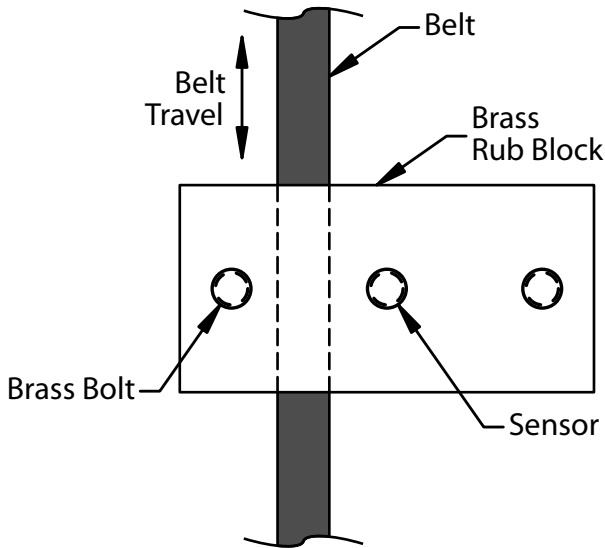


Figure 1: Belt Alignment

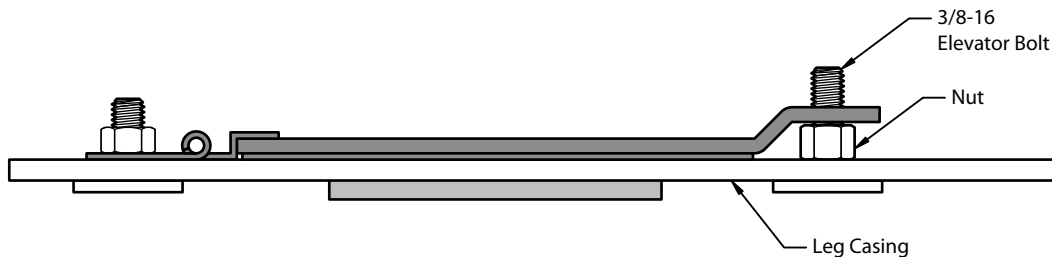
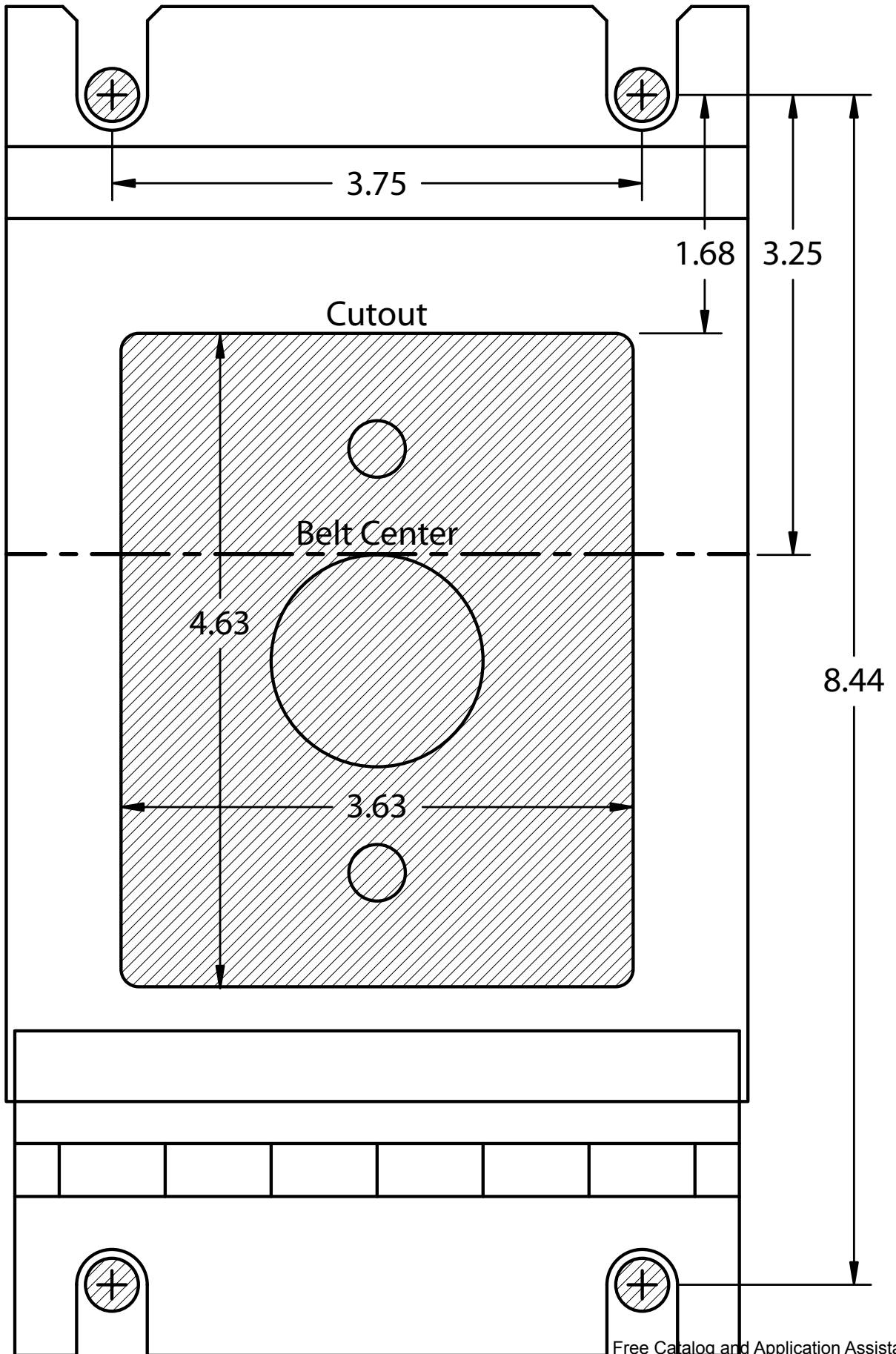
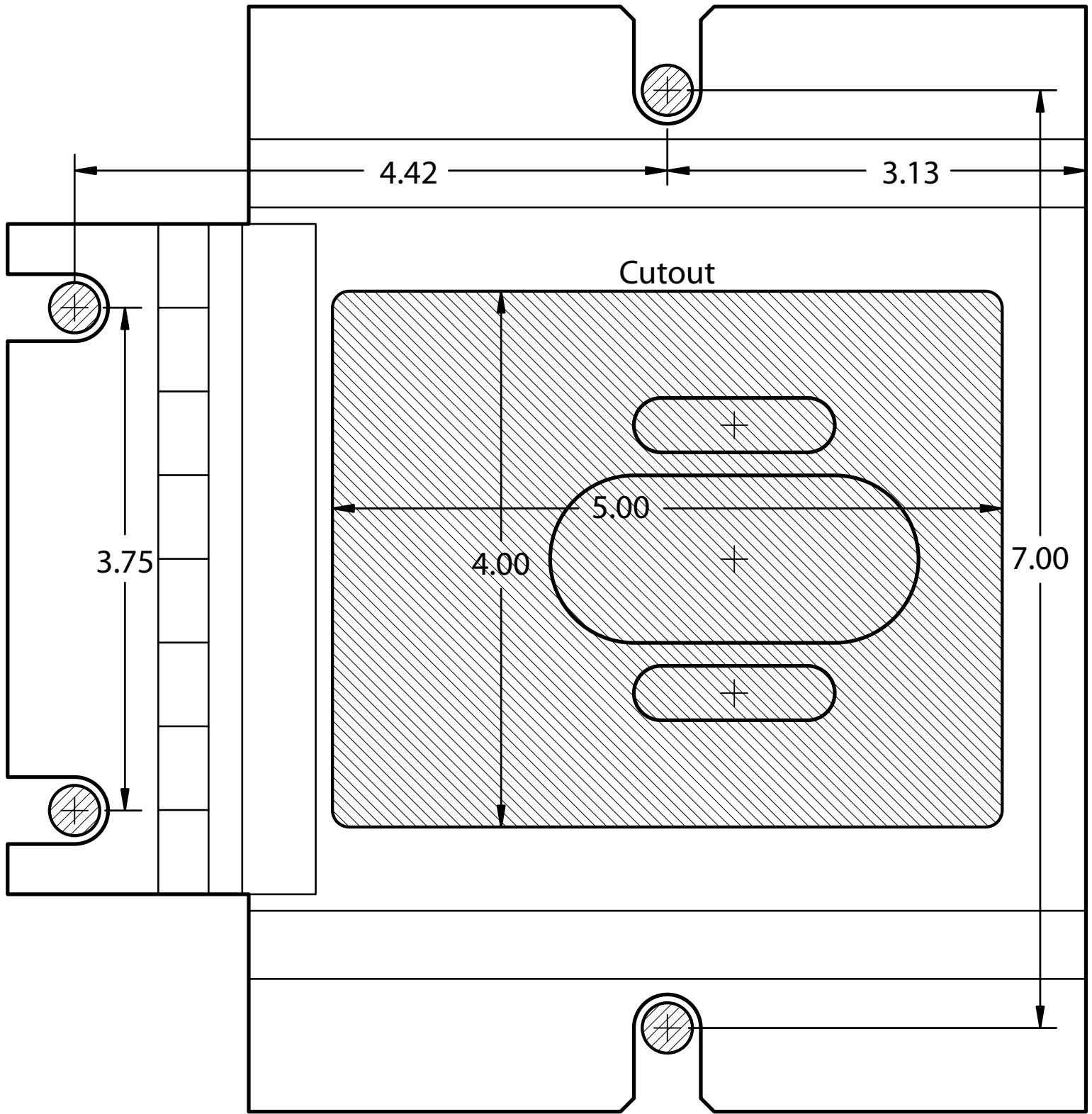


Figure 2: Door Installation

# Hinged door template



# Sliding door template



# Uni-Strut Rub Block template

