

## Key Features

- Compact, self-contained system with sensor and switch
- Easy Installation and Calibration
- Dust, Dirt, and Greaseproof
- PVC corrosion-resistant NEMA 4X housing
- 115 VAC (50-60 Hz)
- Works with Electro-Sensors magnetic pulser discs / wraps
- 5-Year Limited warranty

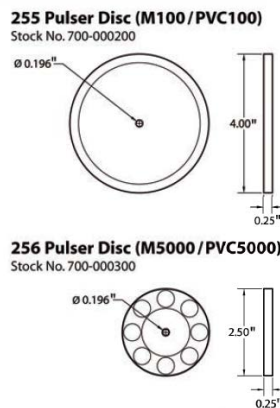


## Description

PVC-Series Miniature Speed Switches are self-contained rotation monitoring systems that are ideal for detecting the unwanted slowdown of process equipment. These systems are commonly used to monitor drive trains, power-driven components, crushers, exhaust fans, screw conveyors, or tail pulleys on belt conveyors and elevators. The standard system includes a PVC-Series switch and a 255 Disc. Electro-Sensors' speed switches bring efficiency and safety to your operations by preventing machine damage, product waste, and costly down time. The PVC series switches are made for environments with corrosive surroundings. The PVC series switches are able to operate in these environments much more effectively than a metal housing sensor.

## Sensor Gap Flexibility

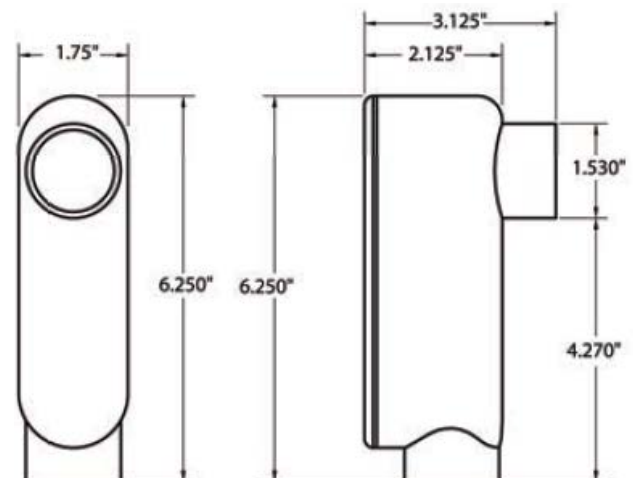
You only need a ruler to position our sensing heads (with our competitors you need a feeler gauge). Compare our sensor tolerances to competitors before you purchase and install an inflexible rotational pickup device.



## Principle of Operation

PVC Speed Switches contain a sensor and switching electronics in a chemical/corrosion resistant housing. Each switch works with a shaft-end mounted Pulser Disc (or optional split collar Pulser Wrap) which generates an alternating magnetic field that is picked up by the speed switch. The switch decodes this frequency signal to determine shaft speed and compares this to the pre-adjusted set point, easily calibrated via a single-turn potentiometer. In the event of rotational failure, such as a broken drive, belt slippage, product overloads or clogs, the relay can be used to provide an alarm or equipment shutdown, ensuring machine protection and process integrity. The PVC100/5000 is fail-safe; any malfunction during operation will de-energize the control circuit.

## PVC100/5000 Dimensions





### M100T/M5000T Specifications

|                        | PVC100                                 | PVC5000   |
|------------------------|--|-----------|
| Integrated Sensor      | ✓                                      |           |
| Sensor Input Signal    | Single                                 |           |
| Target Type            | Magnetic                               |           |
| Detection              | Underspeed, Zero Speed                 |           |
| <b>Operating</b>       |  |           |
| Input Power Options    | 115 VAC (60 Hz)                        |           |
| Output                 | SPDT Form C, Isolated                  |           |
| Relay Contact Rating   | 5 Amp @ 30 VDC or<br>230 VAC resistive |           |
| Operating Temperature  | -40° F to +140° F                      |           |
| Sensing Head           | Integral                               |           |
| Electrical Connections | 12" Tinned Wires                       |           |
| Number of Setpoints    | 1                                      |           |
| Setpoint Range (RPM)   | 5-100                                  | 100-5,000 |
| Setpoint Accuracy      | ±0.5%                                  |           |
| Setpoint Adjustment    | 1-turn (270°) Potentiometer            |           |
| <b>Housing</b>         |  |           |
| Enclosure Mount        | Conduit                                |           |
| Material               | Cast Aluminum                          |           |
| Enclosure Rating       | 4X                                     |           |

Specifications subject to change without notice.

### Ordering

All models come with a standard bracket for mounting

| Model Description | Part Number |
|-------------------|-------------|
| PVC100, 115 VAC   | 775-007710  |
| PVC5000, 115 VAC  | 775-007810  |

### PVC100/PVC5000 Standard System

- Shaft Speed Pulse Generator
- PVC100/PVC5000 Speed Sensor

These are the most popular system components. Many other options are available.

| System Options   | Part Number          |
|--|----------------------|
| Standard 255 Nylon Pulser Disc, 4" Diameter, 16 Magnets (PVC100) | 700-000200           |
| 256 Nylon Pulser Disc, 2.5" Diameter, 8 Magnets (PVC5000)        | 700-000300           |
| Split Collar Pulser Wrap (PVC, Aluminum, Stainless Steel)        | Custom (See Website) |

| Other Options  | Part Number |
|--|-------------|
| EZ-100 Bracket Assembly                                    | 810-000001  |
| MM-2.00 Mounting Magnet (must use EZ-100 Bracket Assembly) | 810-000050  |
| Standard Disc Guard  | 725-005300  |
| EZ-Mount Disc Guard  | 725-005200  |
| EZ-Mount Lower Disc Guard                                  | 725-005201  |

### Customization

If one of our standard products does not meet your specifications, please call one of our applications specialists. Many of our products can be customized to fit specific needs.

### Additional Information

See PVC100/PVC5000 Installation and Operating Manual for complete details, specifications, and programming instructions.

